

# CECO Fybroc

Non-Clog  
Flow-Through  
of Solids

## FYBROC<sup>®</sup> SERIES 3000

### RECESSED IMPELLER HORIZONTAL PUMPS

#### Corrosion

#### Resistant FRP

- ✓ Fiberglass Reinforced VR-1 Vinyl Ester

#### 6 Sizes

- ✓ Flows to 2400 GPM
- ✓ Heads to 130 feet TDH

#### For Heavy Duty

#### Pumping

#### Applications

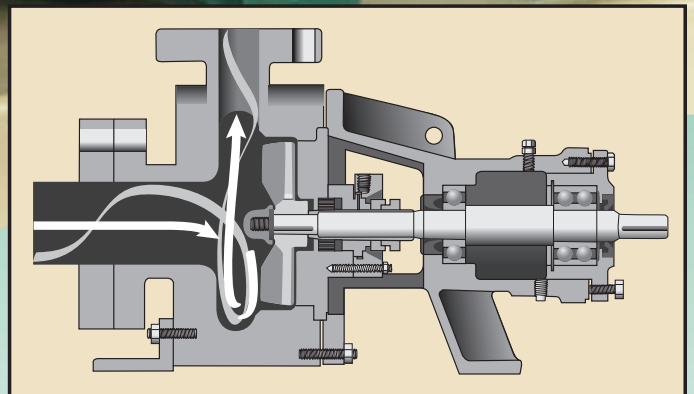
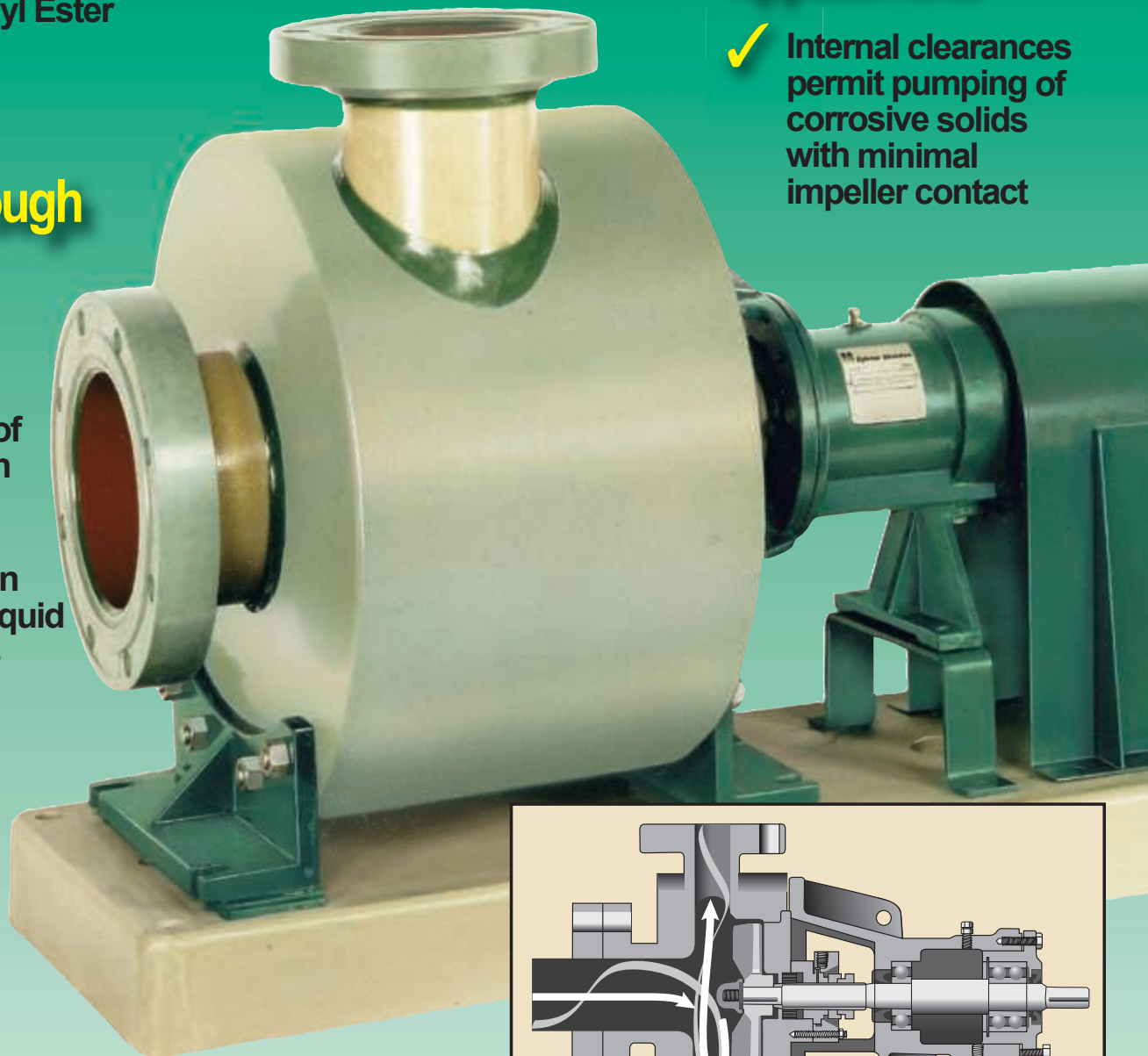
- ✓ Internal clearances permit pumping of corrosive solids with minimal impeller contact

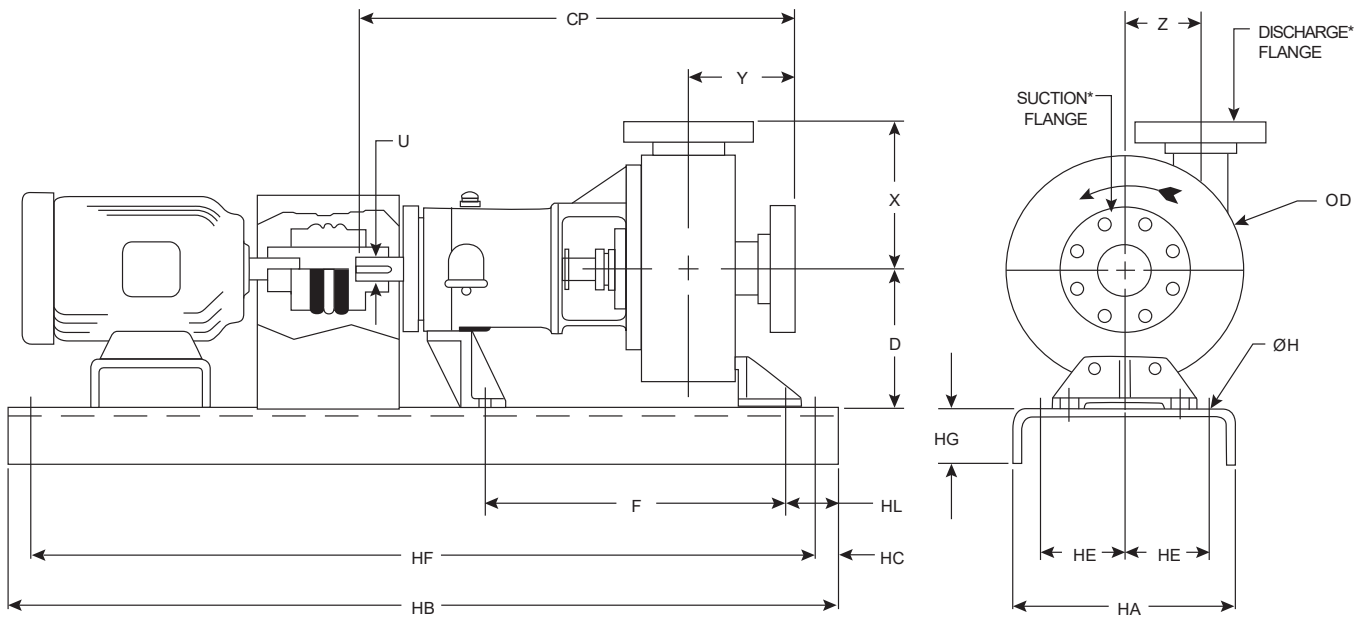
#### Smooth

#### Flow-Through

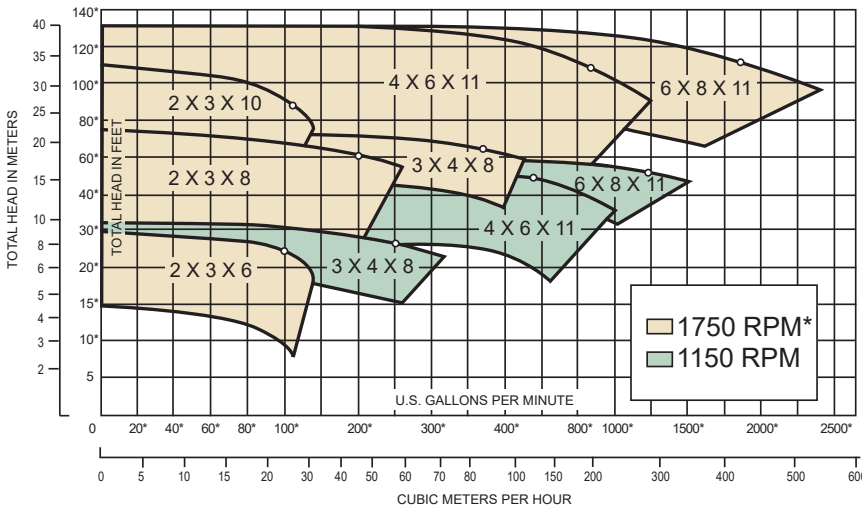
#### Pumping

- ✓ Impeller located outside of flow path
- ✓ Less than 10% of liquid contacts impeller





PUMP SIZE	SUCT.	DISCH.	D	F	U	X	Y	Z	CP	OD	MOTOR FRAME	HA	HB	HC	HE	HF	HG	HL	H
2X3X6	3	2	5 <sup>1</sup> / <sub>4</sub>	13 <sup>7</sup> / <sub>16</sub>	7 <sup>7</sup> / <sub>8</sub>	7	4 <sup>1</sup> / <sub>2</sub>	3	19 <sup>3</sup> / <sub>4</sub>	10	143T-145T	10	39	1 <sup>1</sup> / <sub>4</sub>	4	36 <sup>1</sup> / <sub>2</sub>	2 <sup>5</sup> / <sub>8</sub>	2 <sup>15</sup> / <sub>16</sub>	3 <sup>3</sup> / <sub>4</sub>
											182T-184T					38 <sup>1</sup> / <sub>2</sub>			
											213T-215T	43	4 <sup>1</sup> / <sub>2</sub>	40 <sup>1</sup> / <sub>2</sub>	3				
2X3X8	3	2	8 <sup>1</sup> / <sub>4</sub>	19 <sup>7</sup> / <sub>8</sub>	1 <sup>1</sup> / <sub>8</sub>	9 <sup>1</sup> / <sub>2</sub>	5 <sup>1</sup> / <sub>2</sub>	4 <sup>1</sup> / <sub>4</sub>	27 <sup>3</sup> / <sub>8</sub>	14	182T-215T	15	52	1 <sup>1</sup> / <sub>4</sub>	6	49 <sup>1</sup> / <sub>2</sub>	3 <sup>1</sup> / <sub>2</sub>	4	3 <sup>3</sup> / <sub>4</sub>
											254T-256T					58			
											182T-215T	52	49 <sup>1</sup> / <sub>2</sub>	3 <sup>1</sup> / <sub>2</sub>	3 <sup>1</sup> / <sub>2</sub>				
3X4X8	4	3	8 <sup>1</sup> / <sub>4</sub>	20 <sup>5</sup> / <sub>16</sub>	1 <sup>1</sup> / <sub>8</sub>	11	6	4 <sup>1</sup> / <sub>2</sub>	28 <sup>5</sup> / <sub>8</sub>	15	182T-215T	15	52	1 <sup>1</sup> / <sub>4</sub>	6	49 <sup>1</sup> / <sub>2</sub>	3 <sup>1</sup> / <sub>2</sub>	3 <sup>1</sup> / <sub>2</sub>	3 <sup>3</sup> / <sub>4</sub>
											254T-256T					60			
											182T-184T	52	45	3 <sup>1</sup> / <sub>2</sub>	3 <sup>3</sup> / <sub>4</sub>				
2X3X10	3	2	9	18 <sup>1</sup> / <sub>8</sub>	1 <sup>3</sup> / <sub>8</sub>	11	5	5 <sup>3</sup> / <sub>8</sub>	25 <sup>1</sup> / <sub>2</sub>	16 <sup>1</sup> / <sub>4</sub>	182T-184T	15	48	1 <sup>1</sup> / <sub>2</sub>	6	45	3 <sup>1</sup> / <sub>2</sub>	2 <sup>13</sup> / <sub>16</sub>	3 <sup>3</sup> / <sub>4</sub>
											213T-256T					55			
											254T-256T	55	52						
4X6X11	6	4	11	23 <sup>3</sup> / <sub>4</sub>	1 <sup>5</sup> / <sub>8</sub>	12 <sup>1</sup> / <sub>2</sub>	7	6	32 <sup>1</sup> / <sub>8</sub>	20 <sup>1</sup> / <sub>2</sub>	254T-256T	18	68 <sup>1</sup> / <sub>2</sub>	1 <sup>1</sup> / <sub>4</sub>	7 <sup>1</sup> / <sub>2</sub>	66	4	4 <sup>5</sup> / <sub>8</sub>	3 <sup>3</sup> / <sub>4</sub>
											284T-326T					70			
											284T-326T	70	67 <sup>1</sup> / <sub>2</sub>						
6X8X11	8	6	12 <sup>1</sup> / <sub>2</sub>	27 <sup>3</sup> / <sub>4</sub>	1 <sup>5</sup> / <sub>8</sub>	15 <sup>1</sup> / <sub>2</sub>	10 <sup>1</sup> / <sub>2</sub>	5 <sup>3</sup> / <sub>4</sub>	37 <sup>13</sup> / <sub>16</sub>	23	284T-326T	26	70	2 <sup>1</sup> / <sub>2</sub>	11	65 <sup>1</sup> / <sub>2</sub>	4	3	1



## Specifications

- ✓ Free-standing concentric casing
- ✓ 150 lb. flanged connection
- ✓ Tangential discharge
- ✓ Semi-open, radial-vaned, non-clog recessed impeller keyed to pump shaft
- ✓ Heavy duty power frame
- ✓ Back pullout design



700 Emlen Way • Telford, PA 18969  
 P: 215.723.8155 • TOLL-FREE: 800.392.7621 • F: 215.723.2197  
 infoFHS@OneCECO.com • www.cecoenviro.com/fybroc

