

March 2016

Rev. 001

**PARTS CATALOG
OIL WATER SEPARATOR
ULTRA-SEP MODEL 1000-G-IHB
5 HP PROCESS PUMP – 690/60/3**



Compass
water solutions

15542 Mosher Ave. Tustin, CA 92780 U.S.A.

WEB: compasswater.com

TEL: (949) 222-5777

FAX: (949) 222-5770



This parts catalog is a reference for all of the following Model numbers and Serial numbers manufactured prior to the date of this document.

Model Number	Description
USBWS1000-G	ULTRA-SEP OILY WATER SEPARATOR

Serial Numbers:

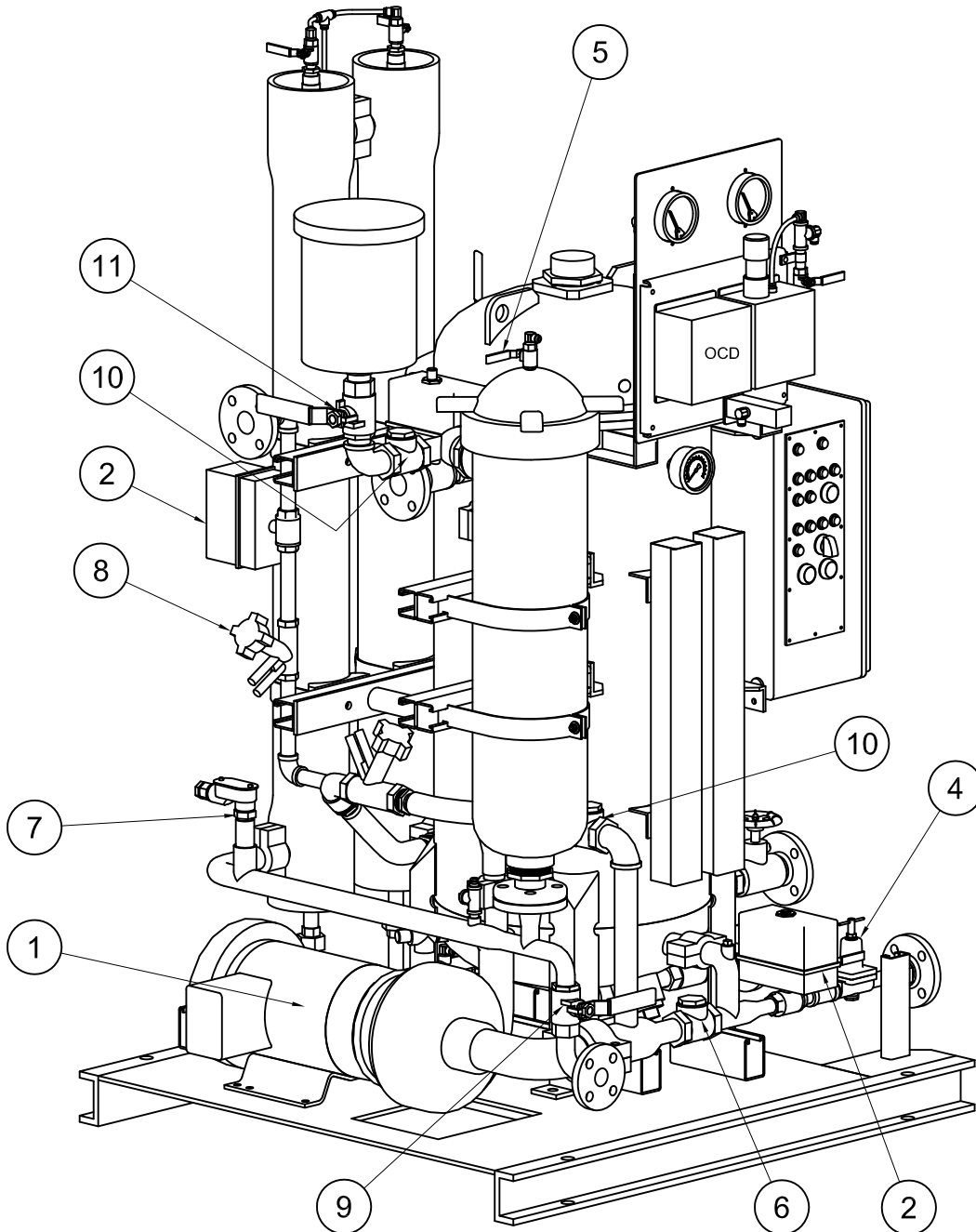
57500	57528
57501	57529
57502	57530
57503	57531

For assistance contact COMPASS at "parts@compasswater.com"

PARTS LIST



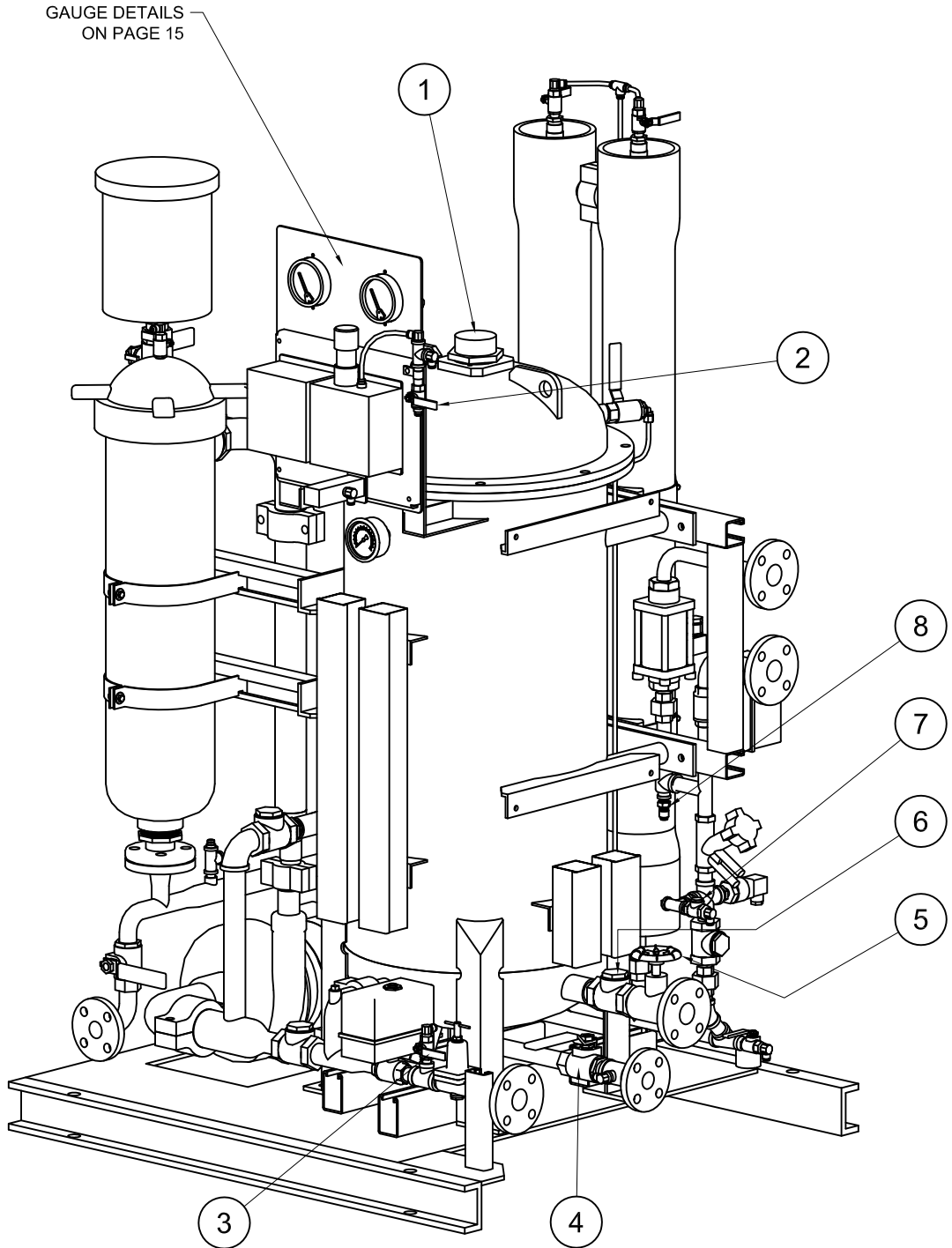
ITEM NO.	QTY. REQD.	CWS PART NO.	TAG ID.	NOMENCLATURE OR DESCRIPTION
1	1	PMGI271605-C	(PU-1)	PUMP / MOTOR, CF 3656-S, 5HP
2	1	VBEB0845	(MV-3)	VALVE, BALL EA 1/2", 120 VAC
3	1	VBEB0845	(MV-2)	VALVE, BALL EA 1/2", 120 VAC
4	1	RPRB0800	(RV-1)	REGULATOR, 1/2" 3-50 PSI
5	1	VBLB0400	(BV-4)	VALVE, BALL 1/4" NPT
6	1	VSCB1600	(CV-2)	VALVE, SWING CHECK 1" NPT
7	1	SWAT0806	(TSH-1)	SWITCH, TEMPERATURE, 1/2"@125F
8	1	VCTB0800	(GV-3)	VALVE, CONTROLL 1/2" T, 300PSI
9	1	VBLB1200	(BV-5)	VALVE, BALL 3/4" NPT
10	2	VSCB1600	(CV-3 & 7)	VALVE, SWING CHECK 1" NPT
11	1	VBLB1600	(BV-6)	VALVE, BALL 1" NPT



PARTS LIST



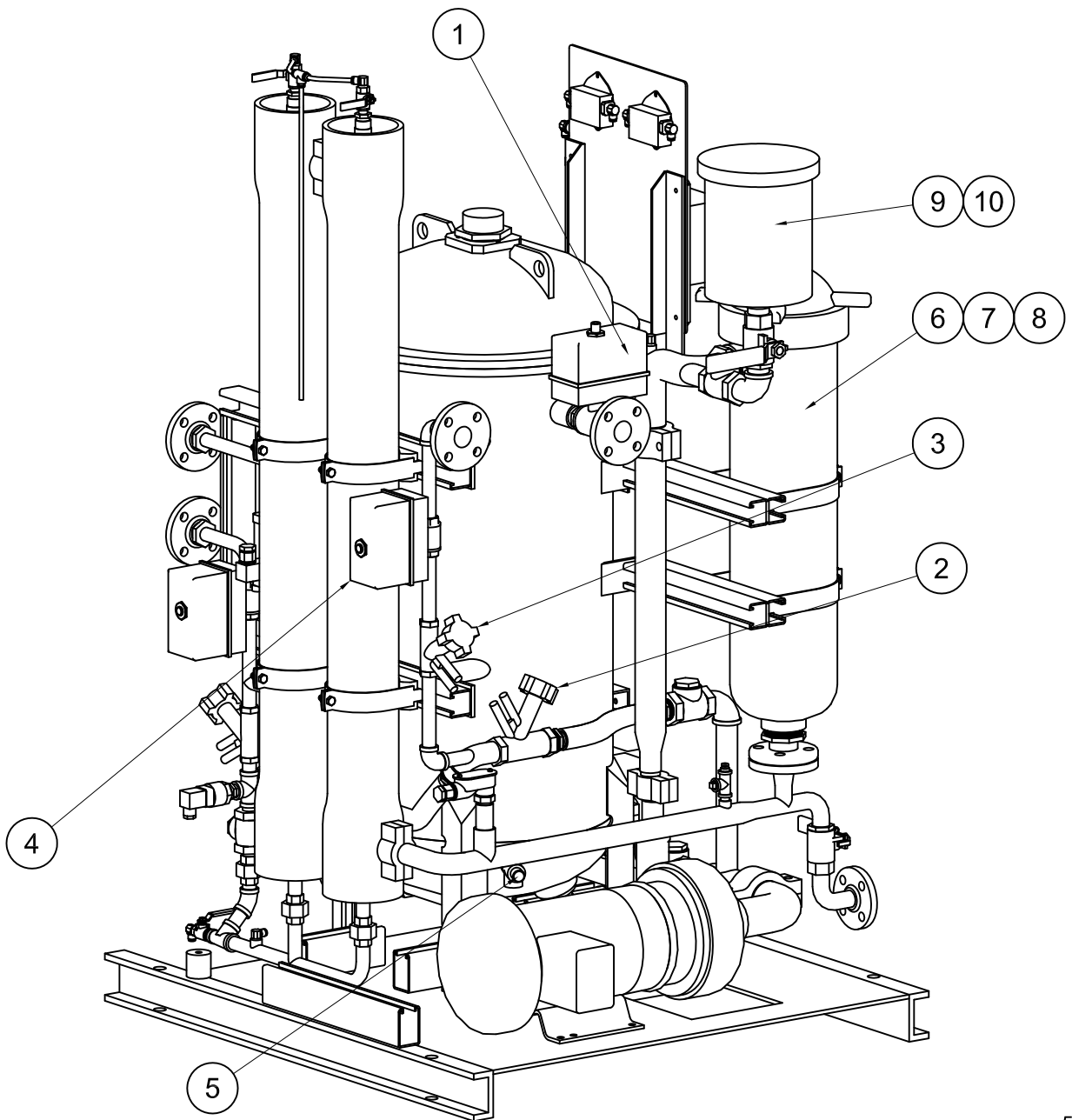
ITEM NO.	QTY. REQD.	CWS PART NO.	TAG ID.	NOMENCLATURE OR DESCRIPTION
1	1	OSPB0074	(OSP)	OIL SENSING PROBE "B"
2	1	VBLB0400	(BV-7)	VALVE, BALL 1/4" NPT
3	1	VBLB0400	(BV-1)	VALVE, BALL 1/4" NPT
4	1	VBLB1200	(BV-3)	VALVE, BALL 3/4" NPT
5	1	VGBB1600	(GBV-1)	VALVE, GLOBE 1" NPT
6	1	VSCB1600	(CV-1)	VALVE, SWING CHECK 1" NPT
7	1	VSCB0800	(CV-5)	VALVE, SWING CHECK 1/4" NPT
8	1	VLCB0408	(CV-6)	VALVE, CHECK 1/4" MNPT



PARTS LIST



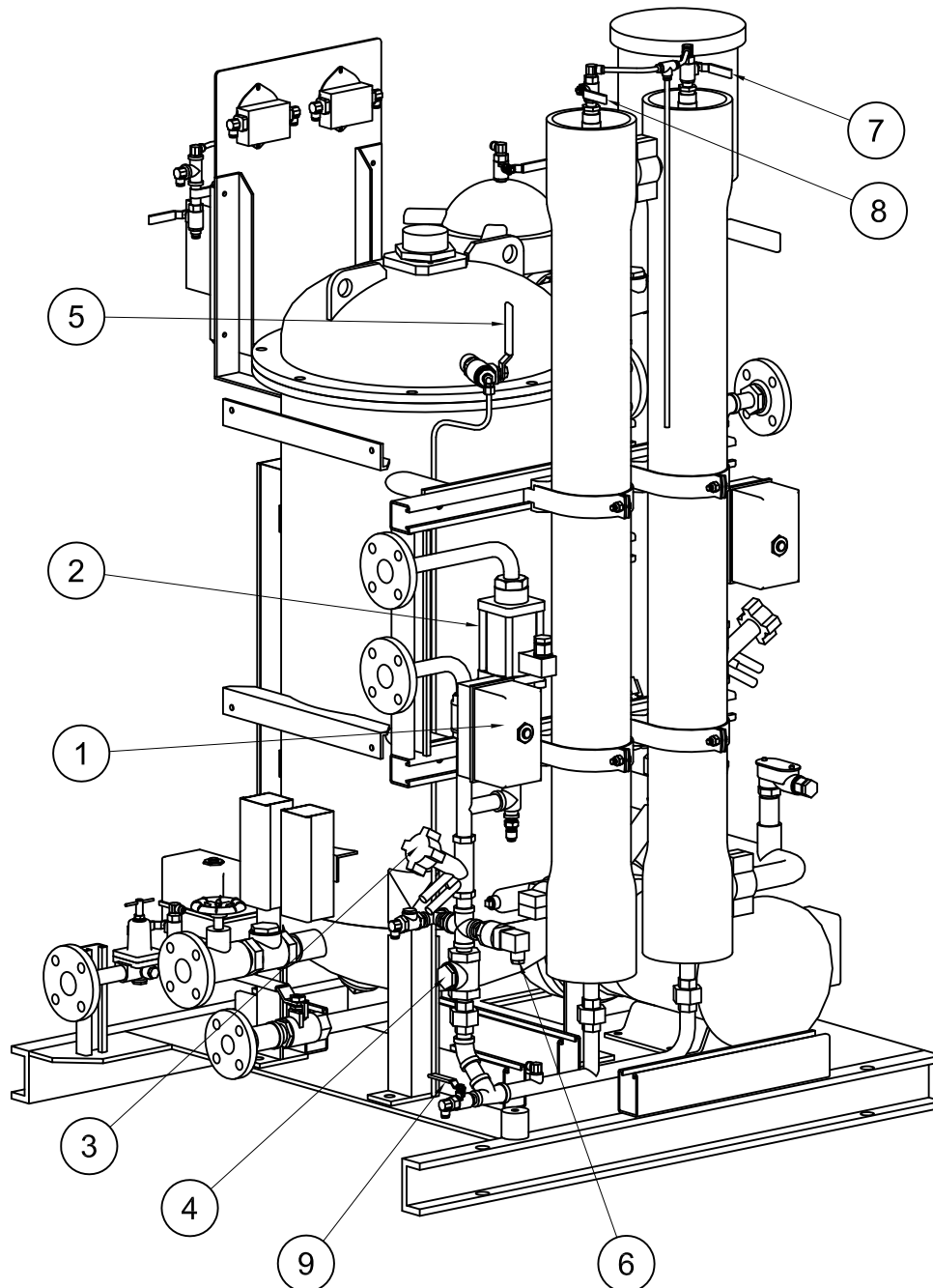
ITEM NO.	QTY. REQD.	CWS PART NO.	TAG ID.	NOMENCLATURE OR DESCRIPTION
1	1	VBEB1645	(MV-4)	VALVE, BALL EA, 1", 120 VAC
2	1	VCTB1600	(GV-1)	VALVE, CONTROL 1", 300 PSI
3	1	VCTB0800	(GV-3)	VALVE, CONTROL 1/2", 300PSI
4	1	VBEB0845	(MV-2)	VALVE, BALL EA, 1/2", 120 VAC
5	1	VRLB0800	(PR-1)	VALVE, PRESSURE RELIEF 1/2"
6	1	FHXC0100	(FIL-1)	FILTER HOUSING, CARTRIDGE
7	1	ORBV0139		FILTER HOUSING O-RING SEAL
8	1	FHXC0520		FILTER CARTRIDGE, 5U, 5"X 20"
9	1	USCC0570		US CLEANING CANISTER
10	1	USCL0570		US CLEANING CANISTER LID



PARTS LIST

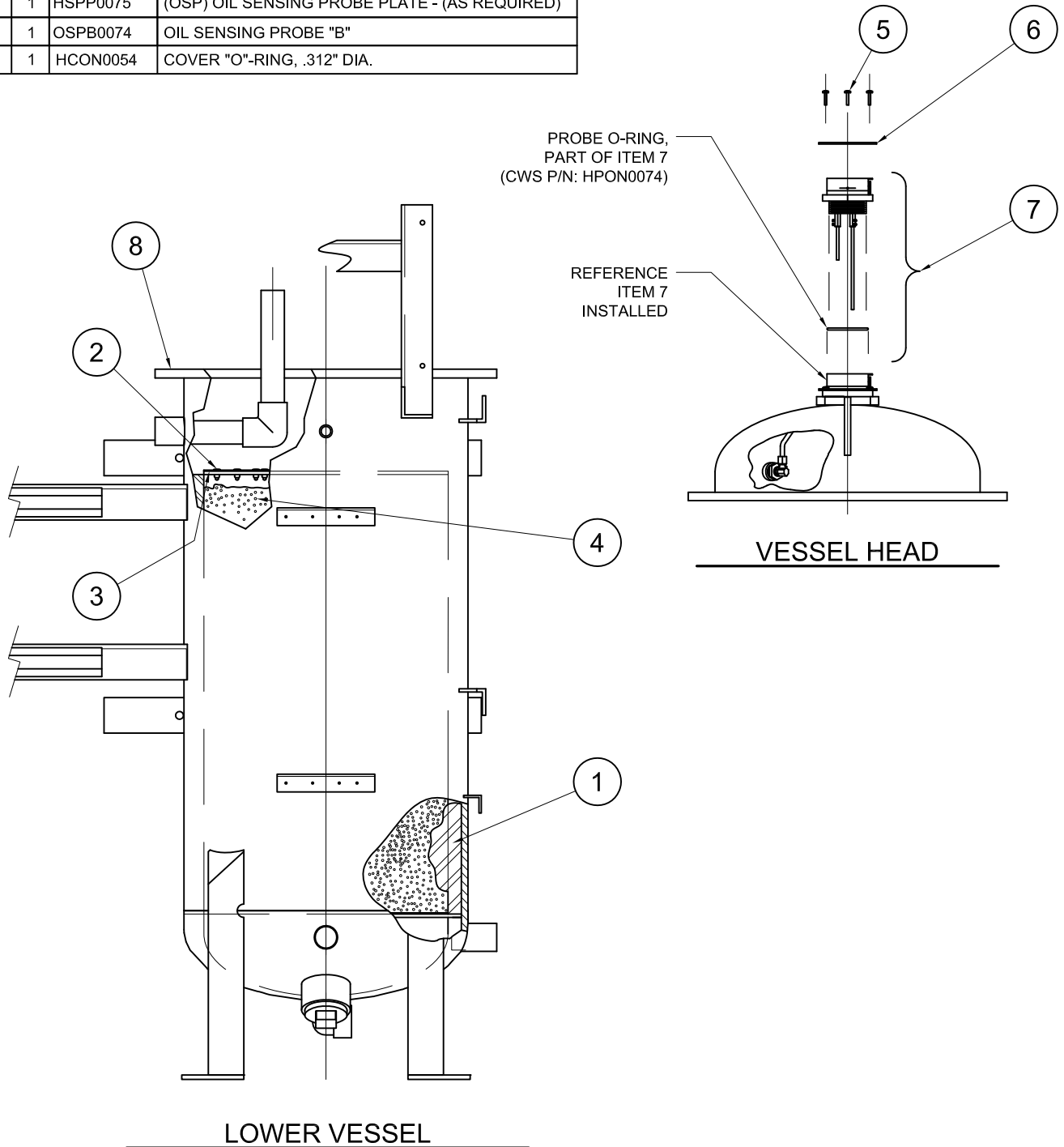


ITEM NO.	QTY. REQD.	CWS PART NO.	TAG ID.	NOMENCLATURE OR DESCRIPTION
1	1	VBEB0845	(MV-1)	VALVE, BALL EA, 1/2" , 120V
2	1	VPAB0840	(EV-1)	VALVE, PISTON EA, 1/2", 120 VAC
3	1	VCTB0800	(GV-2)	VALVE, CONTROL 1/2", 300 PSI
4	1	VSCB0800	(CV-4)	VALVE, SWING CHECK 1/2" NPT
5	1	VBLB0800	(BV-2)	VALVE, BALL 1/2" NPT
6	1	SWMB0030	(PSL-1)	SWITCH, LOW PRESS., 1/4" 30PSI
7	1	VBLB0400	(BV-8)	VALVE, BALL 1/4" NPT
8	1	VBLB0400	(BV-9)	VALVE, BALL 1/4" NPT
9	1	VBLB0400	(BV-10)	VALVE, BALL 1/4" NPT



PARTS LIST

ITEM NO.	QTY. REQD.	CWS PART NO.	NOMENCLATURE OR DESCRIPTION
1	1	HSP1067	OILY WATER PLATE PACK
2	14	RVTS0306	3/16" RIVET SS
3	1	HSSB0563	SCREEN -B
4	15 LBS	FMPB0001	FILTER BEADS
5	3	STCS0812	SCREWS 8/32 X 3/4 SS
6	1	HSP0075	(OSP) OIL SENSING PROBE PLATE - (AS REQUIRED)
7	1	OSPB0074	OIL SENSING PROBE "B"
8	1	HCON0054	COVER "O"-RING, .312" DIA.

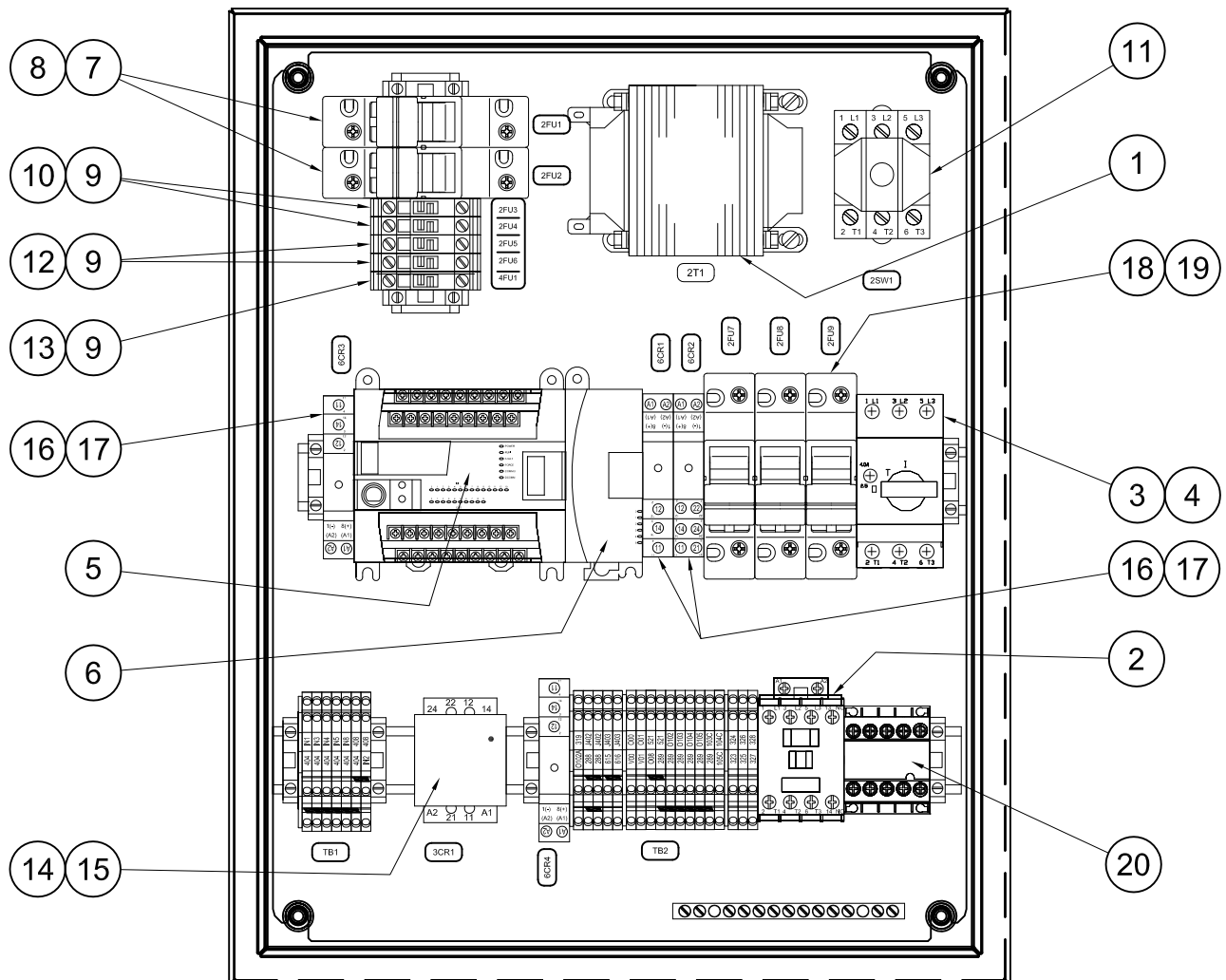


HELI-SEP SUB-ASSEMBLY

PARTS LIST



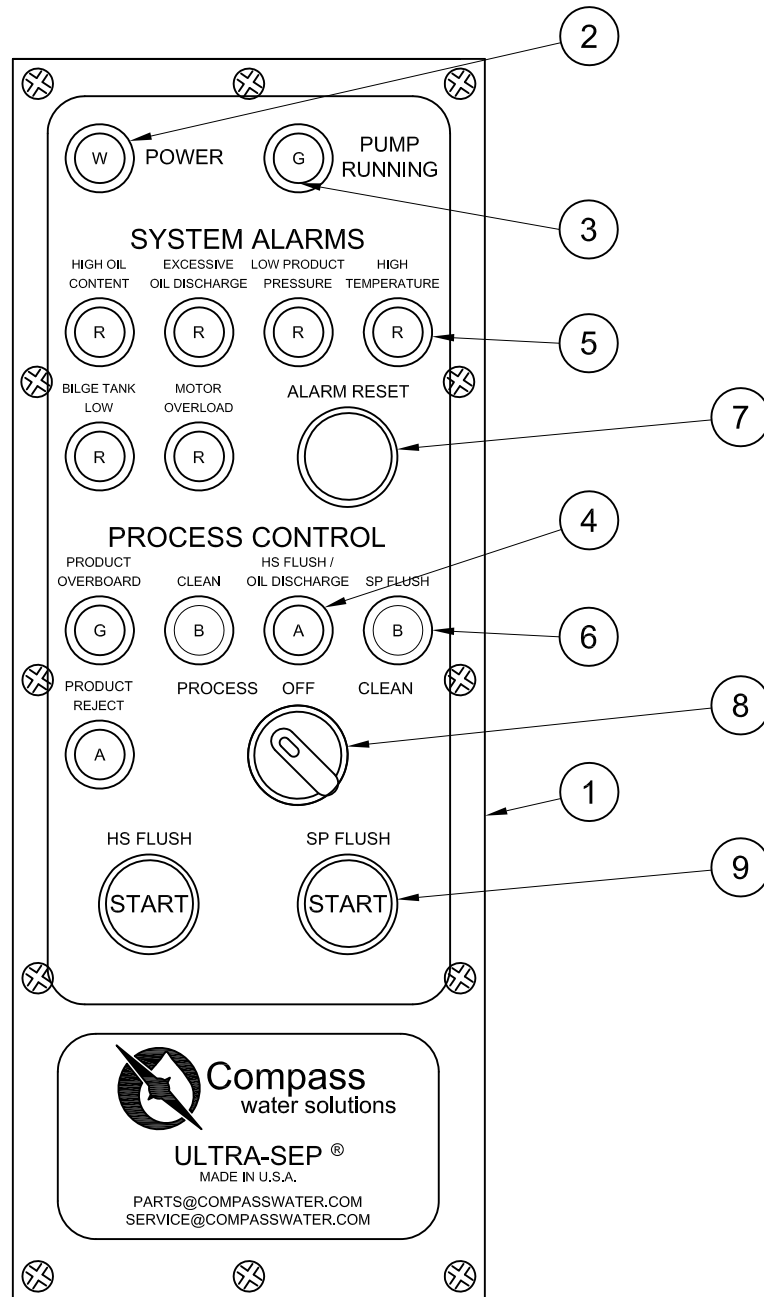
ITEM NO.	QTY. REQD.	CWS PART NO.	NOMENCLATURE OR DESCRIPTION
1	1	TFRU1304	TRANSFORMER 0.25 KVA 690 VAC MULTITAP
2	1	ECTR0320AB	CONTACTOR, 3 POLE & 1 NO AUX 120V
3	1	MSPS1311AB	MOTOR STARTER, 25 AF, (2MSP1)
4	1	ACOC0011-AB	AUX. CONTACTS, FRONT MOUNT 1NO/1NC MSP
5	1	IPLC1225	MICROLOGIX 1200 PLC 14 DI 10 DO
6	1	IPLC1205	PLC OUTPUT MODULE, 6 ISOLATED RELAY OUTPUTS
7	1	FHCH0214	FUSE HOLDER IEC 690V gG, 14X51 2 POLE
8	2	FUAM0050	FUSE, 0.5 AMP, TYPE aM, 690V 14X51 MM (TIME DELAY)
9	5	TBKF0004	TERMINAL BLOCK FUSE HOLDER
10	4	FGMA0400	FUSE TYPE GMA 250VAC (2FU3 & 2FU4)
11	1	SWSZ0007	SWITCH, DISCONNECT 3 POS, 23 AMP, 15KW, 690VAC
12	4	FGMA0200	FUSE TYPE GMA 250VAC (2FU5 & 2FU6)
13	2	FGMA0100	FUSE TYPE GMA 250VAC (4FU1)
14	1	ERSP0722AB	RELAY SOCKET, 8 PIN
15	1	REPA0041	RELAY, PROBE AMPLIFIER
16	3	ERSL0705SC	AB SLIMLINE RELAY (DPDT) 5 PIN BASE SPRING CLAMP
17	3	RESL0741	AB SLIMLINE RELAY (SPDT) 115 VAC
18	1	FHCH0314	FUSE HOLDER, 3 POLE gG 14x51MM (2FU7,2FU8,2FU9)
19	3	FUAM0500	HEATER FUSE, TYPE aM 690V 14X51 MM (TIME DELAY)
20	1	ECTR0320AB	HEATER CONTACTOR FOR 5 KW ELECTRIC HEATER



PARTS LIST

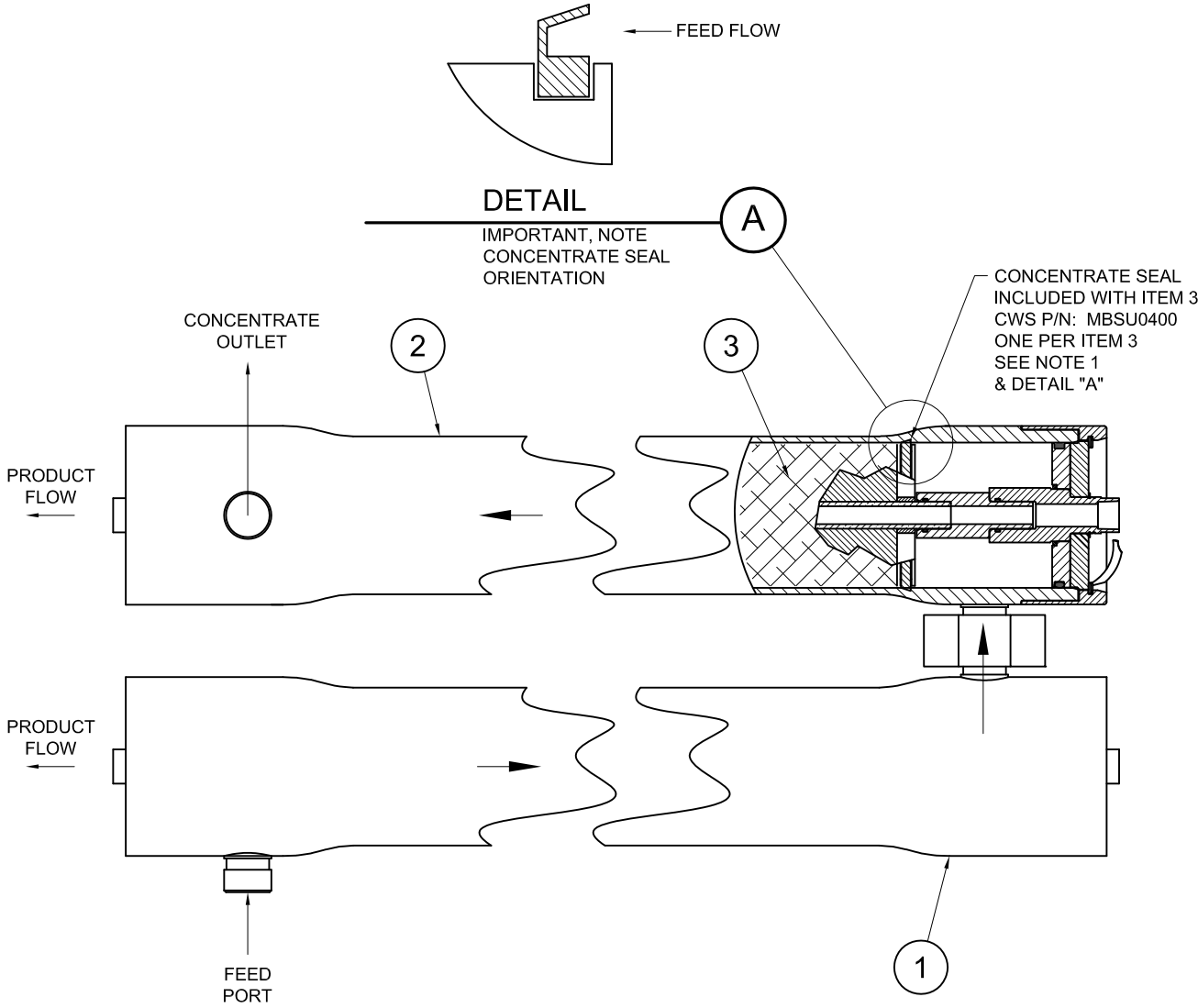


ITEM NO.	QTY. REQD.	CWS PART NO.	NOMENCLATURE OR DESCRIPTION
1	1	USSP0569-G	SIDE PANEL
2	1	LTWT0040	PILOT LIGHT, 1/2 W. NEON (WHITE)
3	2	LTGN0040	PILOT LIGHT, 1/2 W. NEON (GREEN)
4	2	LTAM0040	PILOT LIGHT, 1/2 W. NEON (AMBER)
5	6	LTRD0040	PILOT LIGHT, 1/2 W. NEON (RED)
6	2	LTBL0040	PILOT LIGHT, 1/2 W. NEON (BLUE)
7	1	SWPFR000	PUSHBUTTON, RED FLAT AB 1N0/1NC
8	1	SWSAB003	SELECTOR SWITCH 3 POSITION
9	2	SWPGS000	PUSHBUTTON, GREEN START AB 1NO



PARTS LIST

ITEM NO.	QTY. REQD.	CWS PART NO.	NOMENCLATURE OR DESCRIPTION
1	1	MHUP1440-SP	MEMBRANE HSG, 4" X 1L X 1"VIC, 2 SIDE PORTS @ 180°
2	1	MHUP1442-SP	MEMBRANE HSG, 4" X 1L X 1"VIC, 2 SIDE PORTS @ 90°
3	2	MUFO0449	SPIR-O-LATOR, UF OWS 4" x 40"



NOTE

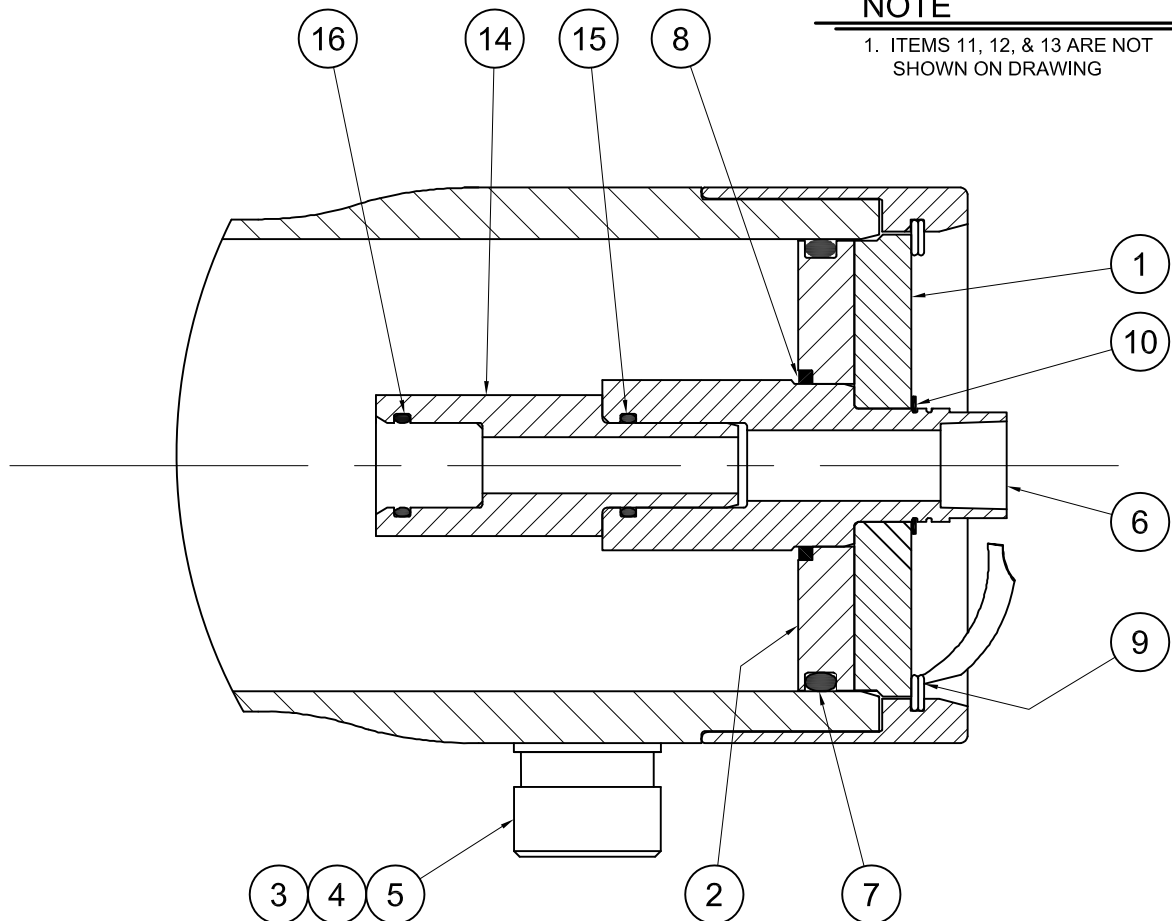
1. THE CONCENTRATE SEAL END OF THE SPIR-O-LATOR MUST BE INSTALLED TOWARD THE HOUSING FEED AS SHOWN. SEE DETAIL "A".

PARTS LIST



ITEM NO.	QTY. REQD.	CWS PART NO.	NOMENCLATURE OR DESCRIPTION
1	4	MHBP0416	BEARING PLATE
2	4	MHSP0416	SEAL PLATE
3	4	MHVP0416	FEED / CONCENTRATE PORT 1"
4	4	MHRP0416	RETAINING RING, FEED / CONCENTRATE PORT
5	4	MHSP0218-N	FEED / CONCENTRATE PORT SEAL
6	4	MHPP0416	PERMEATE PORT
7	4	ORGN2342	HEAD SEAL, O-RING
8	4	MORN0221-N	PERMEATE PORT SEAL, SQUARE SEAL
9	4	MHRR0416	HEAD RETAINING RING W/ FINGER PULL
10	4	MHPR0416	RETAINING RING, PERMEATE PORT
11	4	MHSD0415	SUPPORT SADDLE
12	4	MHSP0415	STRAP ASSEMBLY
13	8	MHSP80137-1	STRAP SCREW
14	4	MADP0415	MEMBRANE ADAPTOR, 4" USBWS STINGER STYLE
15	4	ORGN2116	ADAPTER SEAL, O-RING
16	4	ORGN2116	PWT SEAL, O-RING

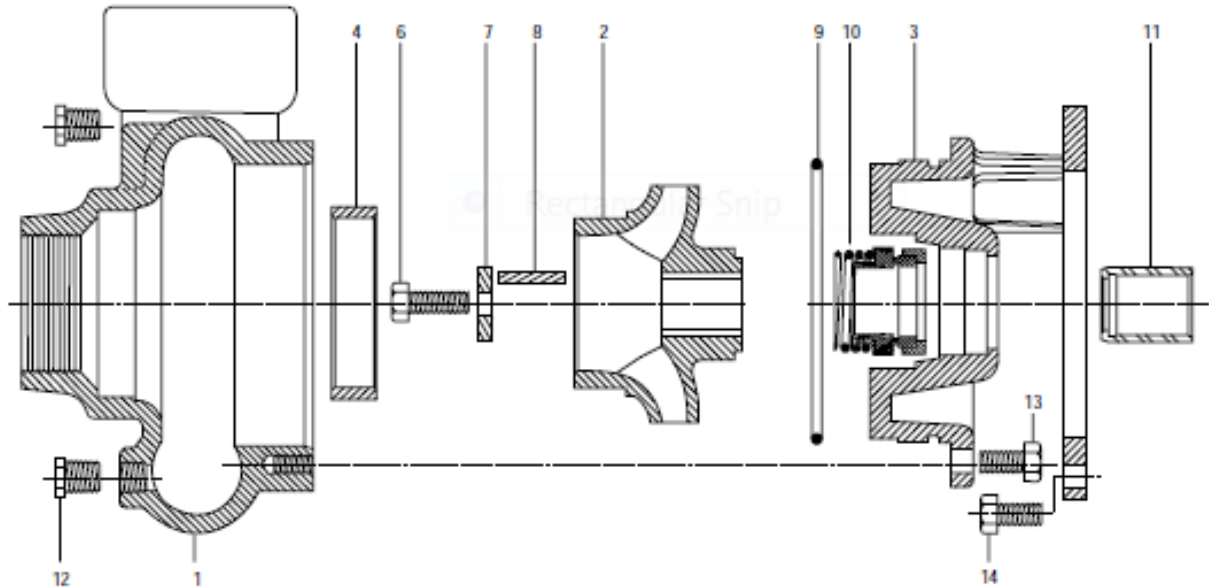
KIT	ITEMS CONTAINED	CWS PART NUMBER
COMPLETE HEAD	ITEMS 1,2,6,7,8,10,15	MHHK0416
SEAL KIT	ITEMS 5,7,8,16	MHSK0416



NOTE

- ITEMS 11, 12, & 13 ARE NOT SHOWN ON DRAWING

ULTRA-SEP™ 1000-G 60HZ PROCESS PUMP (PU1) BREAKDOWN



ITEM NO.	QTY	DESCRIPTION	MATERIAL	CWS P/N
1	1	Casing	Cast Iron	PPCI1612
2	1	Impeller (7-5/16")	Bronze	IMGB2757
3	1	Adapter	Cast Iron	PPMA1114
4	1	Wear Ring (casing)	Bronze	PPGB0468
5	n/a	Wear Ring (seal housing)	-	-
6	1	Impeller Bolt	AISI 303 Stainless Steel	PPGS1343
7	1	Impeller Washer		PPGS1339
8	1	Impeller Key		PPGS0411
9	1	Seal Housing O-Ring	BUNA-N	PPGN0574
10	1	Mechanical Seal	Carbon/Ceramic Buna	MSG1013
11	1	Shaft Sleeve	AISI 300 SS	PPGS0466
12	4	Drain Plug - 1/4" NPT	Zinc Plated Steel	PPTG0400
13	8	Hex Head Bolt (adapter to casing)		BHCP0604
14	4	Hex Head Bolt (adapter to motor)		BHCP0604

SMART CELL OIL CONTENT DETECTOR SPARE PARTS

When ordering spares, it is important to supply details of the type of monitor, serial number of monitor, part number of each spare required, its description and any other relevant information.

RECOMMENDED ON-BOARD SPARES

<u>Item</u>	<u>Qty</u>	<u>Part Number</u>
Cell wiper ring	1	SBWR9039
Fuse 1.25A	1	SBFU9089
Solenoid valve 120VAC	1	SBSV9060

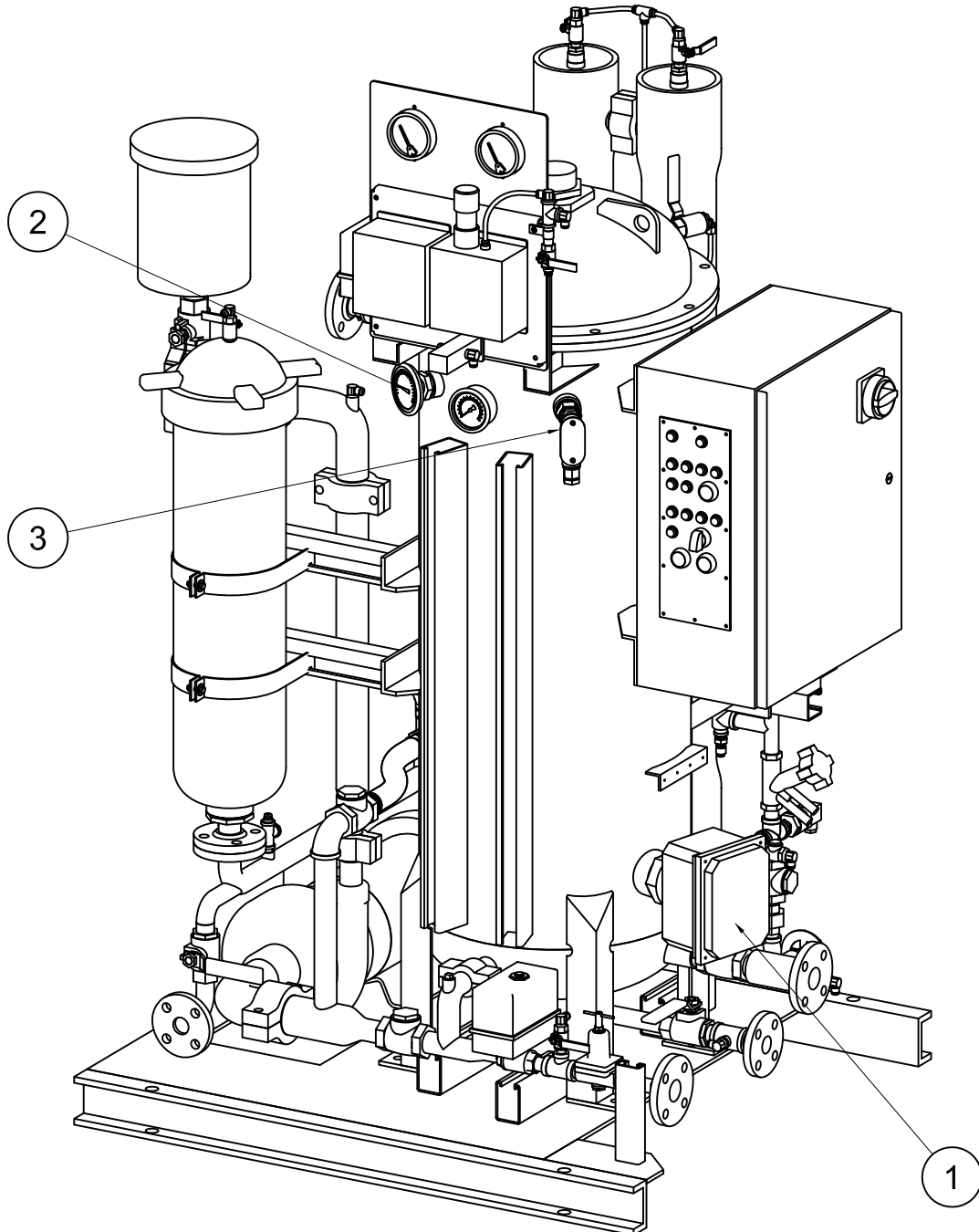
OTHER SPARES

<u>Item</u>	<u>Qty</u>	<u>Part Number</u>
Spare Smart Cell Assy Bilge	1	SBSC9171
Spare 110/240V Programmed Smart Bilge PCB Assy	1	SBBA9019
Membrane overlay	1	SBMO9030
LCD display module	1	SBDM9068
Smart Bilge Download Cable	1	SBDC9165
Calibration Verification Kit	1	SBVK0900



PARTS LIST

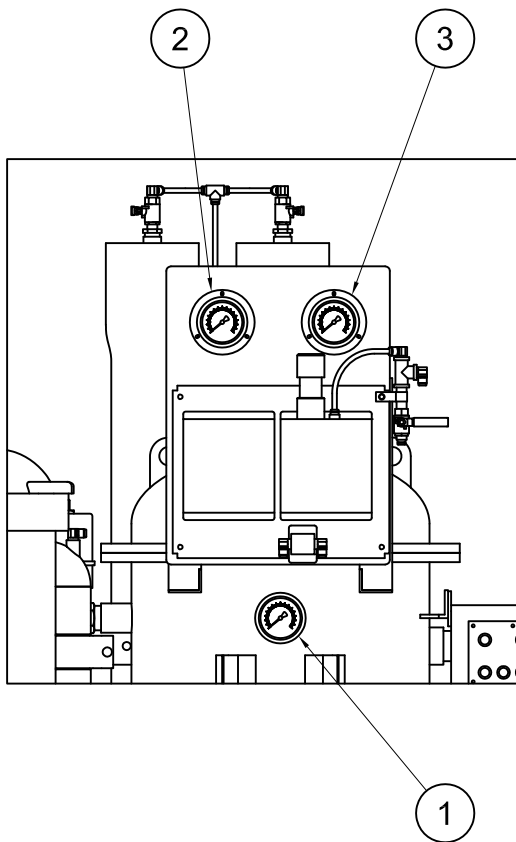
ITEM NO.	QTY. REQD.	CWS PART NO.	TAG ID.	NOMENCLATURE OR DESCRIPTION
1	1	HTEL1393	(HTR)	IMMERSION HEATER - 690V / 60HZ
2	1	GATK0832	(TG)	TEMPERATURE GAUGE 0-250F
3	1	SWAT0806	(TSH3)	SWITCH, TEMPERATURE, NC, 1/2"MNPT@135F



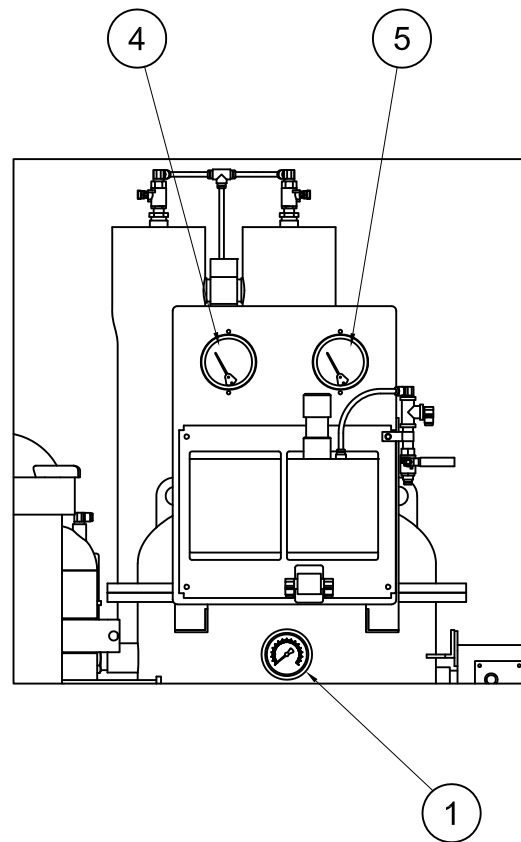
PARTS LIST



ITEM NO.	QTY. REQD.	CWS PART NO.	TAG ID.	NOMENCLATURE OR DESCRIPTION
1	1	GALK0424-15	(PI-1)	GAUGE, V/P, -30-0-60, 2.5D, 1/4"
2	1	GALK0460-C	(PI-2)	GAUGE, PRESSURE, 0-100, 2.5D, 1/4"
3	1	GALK04100-C	(PI-3)	GAUGE, PRESSURE, 0-100, 2.5D, 1/4"
4	1	GPDI04100-65	(DP-1)	GAUGE, DPI 0-30, 2.5D, 1/4"
5	1	GPDI0430-20	(DP-2)	GAUGE, DPI 0-50, 2.5D, 1/4"



PRESSURE GAUGES



DIFFERENTIAL GAUGES

NOTE

1. THE ULTRA-SEP 1000-G IS EITHER EQUIPPED WITH PRESSURE GAUGES OR DIFFERENTIAL GAUGES. PRESSURE GAUGES HAVE ONLY 1 CONNECTION, WHILE THE DIFFERENTIAL CONNECT TO TWO POINTS. ORDER THE GAUGES TO MATCH YOUR EXISTING SYSTEM.
2. PI-1 IS THE SAME ON BOTH ARRANGEMENTS.

RECOMMENDED ON BOARD SPARES

ITEM NO.	QTY. REQD.	CWS PART NO.	DESCRIPTION
1	1	VBEB0845	MOTORIZED BALL VALVE, 1/2", 120V
2	1	VBEB1645	MOTORIZED BALL VALVE, 1", 120V
3	1	VPAB0840	VALVE, PISTON EA, 1/2", 120V
4	1	VRKD0800	SOLENOID VALVE, REPAIR KIT 1/2"
5	1	VCLD0040	SOLENOID VALVE, REPLACEMENT COIL, 120V
6	1	VLB0400	SAMPLE BALL VALVE, 1/4"
7	1	VRLB0800	PRESSURE RELIEF VALVE, 1/2"
8	1	RPRB0800	REGULATOR, 1/2" 3-50 PSI
9	1	OSPB0074	OIL SENSING PROBE "B"
10	1	SWMB0005	SWITCH, LOW PRESS., 1/4" 5PSI
11	1	SWAT0806	SWITCH, TEMP-NC 1/2"MNPT@125F
12	12	FHXC0520	FILTER CART., 5U, 5"X 20"
13	4	FUAM0100	FUSE, 1 AMP (2FU1 & 2FU2)
14	4	FGMA0400	FUSE TYPE GMA 250VAC (2FU3 & 2FU4)
15	4	FGMA0200	FUSE TYPE GMA 250VAC (2FU5 & 2FU6)
16	1	REPA0041	RELAY, PROBE AMPLIFIER
17	5	FGMA0100	FUSE TYPE GMA 250VAC (4FU1)
18	3	RESL0741	AB SLIMLINE RELAY (SPDT) 115 VAC
19	1	MHHK0416	SPIR-O-LATOR HOUSING HEAD KIT (COMPLETE)
20	2	MHSK0416	SPIR-O-LATOR HOUSING SEAL KIT
21	1	IMGB2757	PROCESS PUMP IMPELLER (7 5/16")
22	1	MSG51013	PROCESS PUMP MECHANICAL SEAL
23	1	FUAM0600	HEATER FUSE, 6 AMP, TYPE aM 690V 14X51 MM (TIME DELAY)